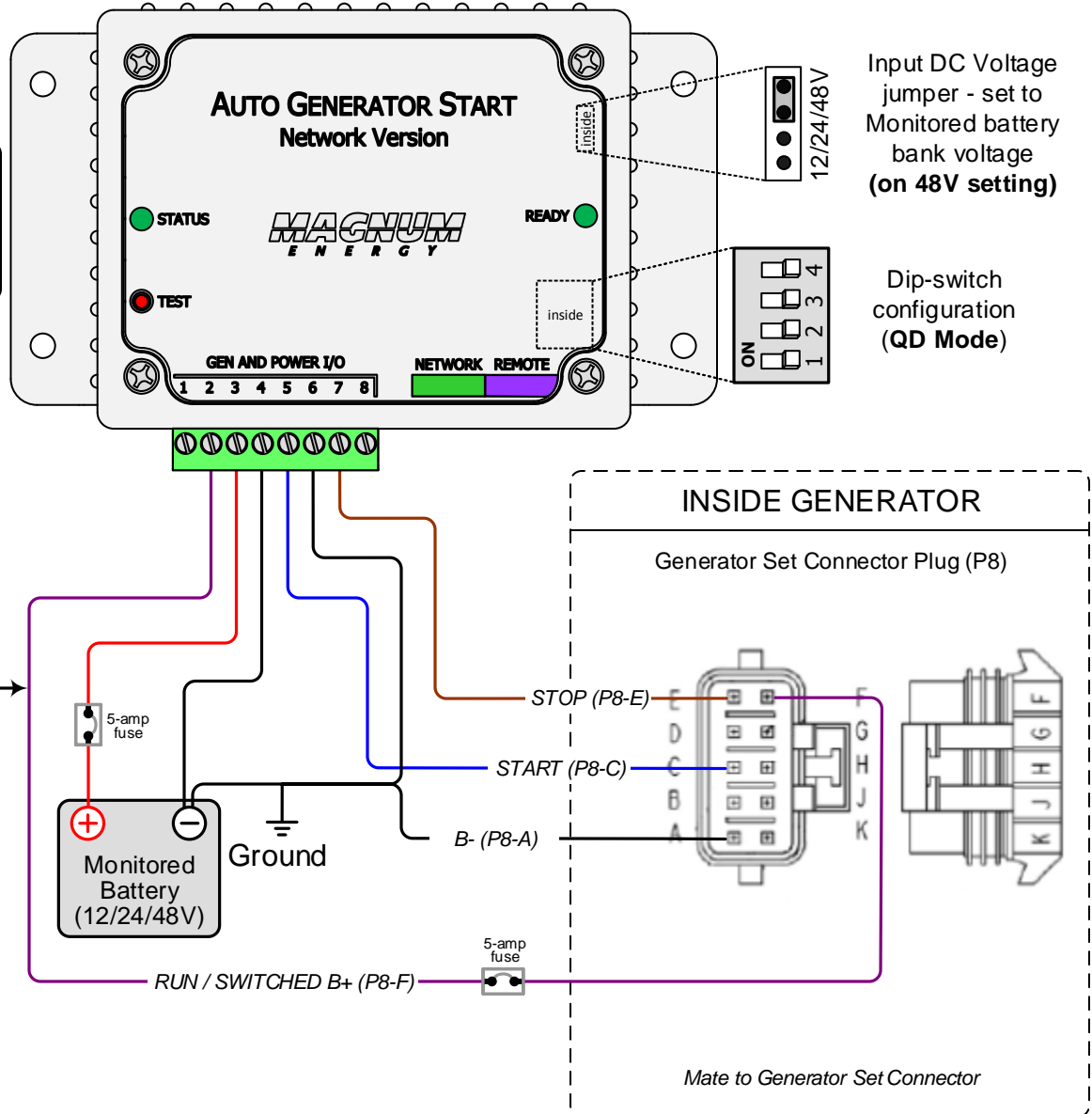
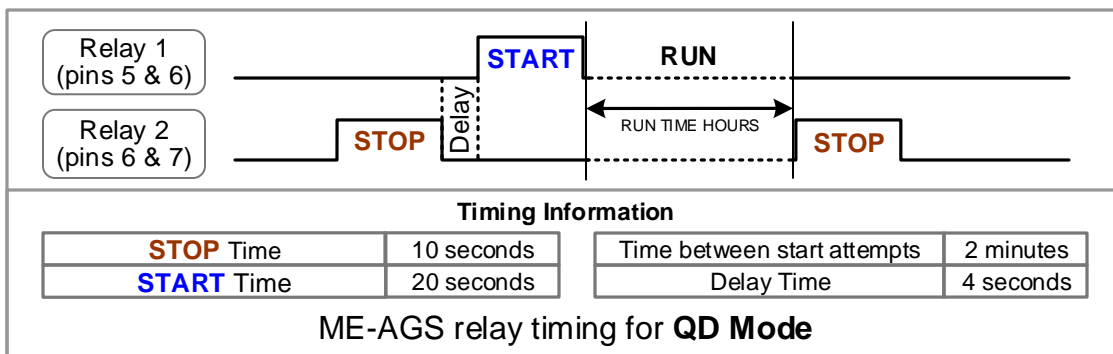


ME-AGS wiring diagram – For Onan (Models HDKAT, HDKAU, and HDKAV)

NOTE:
ME-AGS-N is shown, but ME-AGS-S can be used also.



Gen Run Signal (input to pin 2 must be 10 to 40 DC volts only while generator is running); can be the generator hour-meter or a 12vdc pilot/run light



This diagram is provided to assist in the installation of the Auto Generator Start controller. Since the use of this diagram and the conditions or methods of installation, operation and use are beyond the control of Sensata Technologies (Magnum Energy Products), we do not assume responsibility and expressly disclaim liability for loss, damage or expense arising out of the installation, operation and use of this unit.