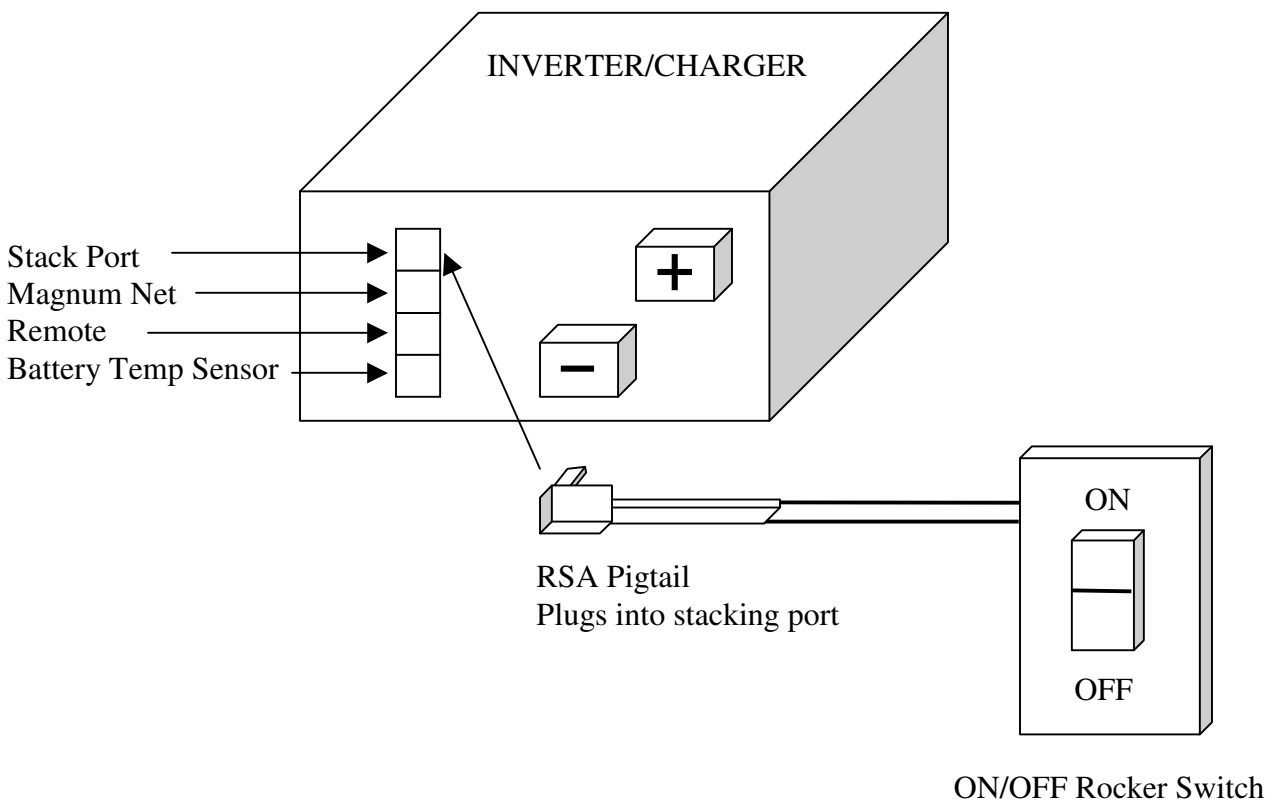


RSA (Remote Switch Adapter) Installation

Part # ME-RSA

This is a diagram of the installation of the RSA pigtail for all ME, MS and RD series Inverter/Chargers. This pigtail provides a means to use remote a dry contact switch to control the on/off function of the inverter. In this application the RSA is used in place of a ME-RC remote panel.



1. Plug RSA pigtail into stacking port on inverter
2. Connect the 2 wires from RSA pigtail to the remote rocker ON/OFF switch

NOTE:

The inverter ON/OFF button on the front of the inverter is now disabled. The charger is not affected by the RSA pigtail.