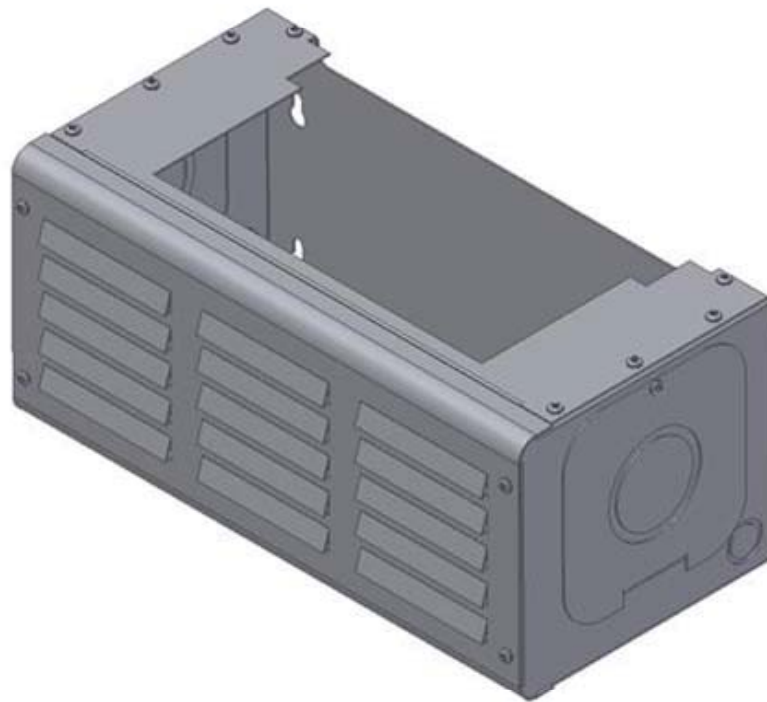




# MPX-CB

## Conduit Box



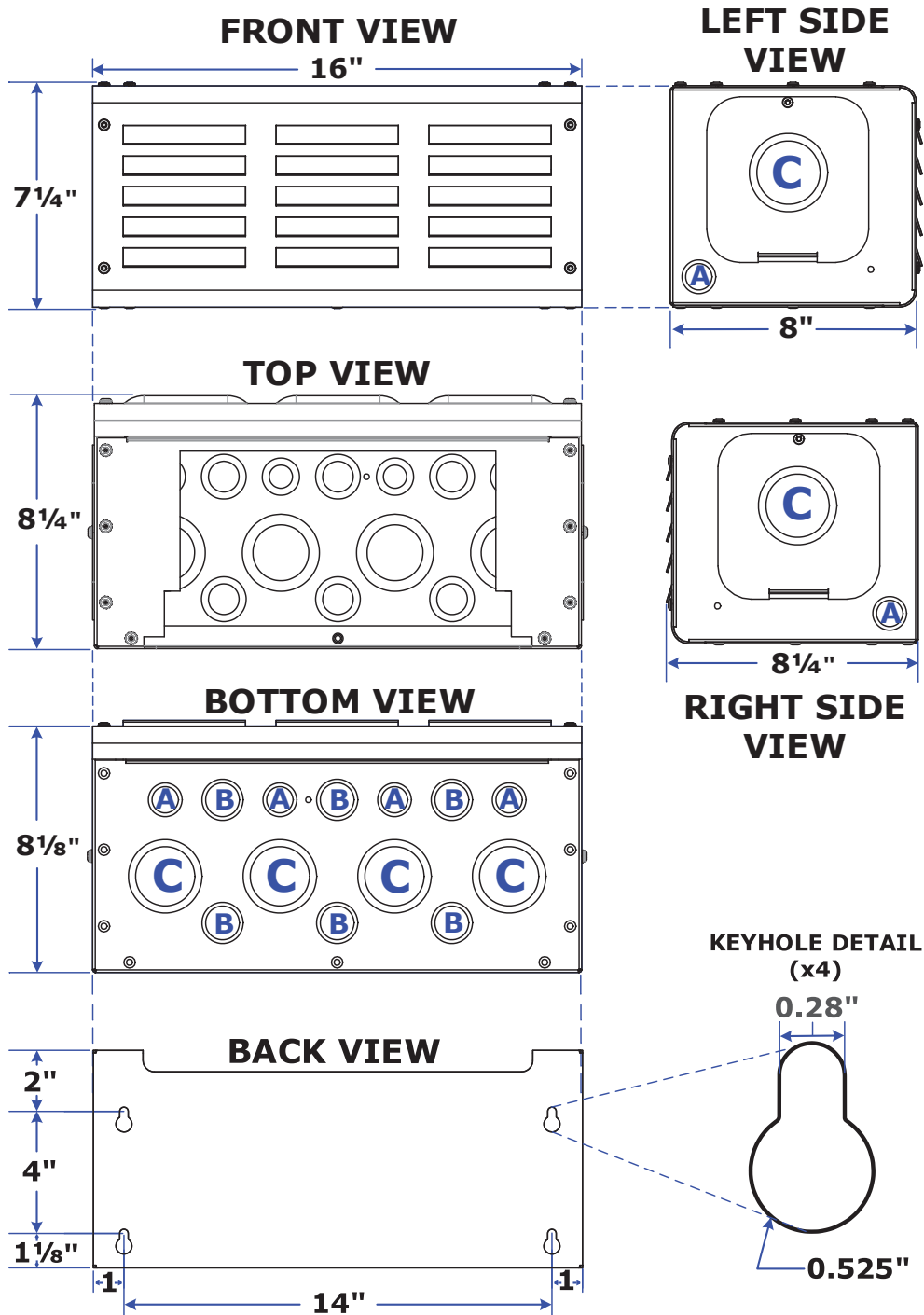
## Installation Guide

Sensata Technologies  
Phone: 425-353-8833  
Fax: 425-353-8390  
Web: [www.SensataPower.com](http://www.SensataPower.com)

## Introduction

### Introduction

The MPX-CB conduit box fits on the bottom of the larger Magnum Energy inverters (i.e., ME, MS, RD, etc.), and provides knockouts to accommodate installations that require the AC/DC wiring to be enclosed/protected by conduit. See Figure 1 for MPX dimensions and knockout locations/sizes.



**CONDUIT KNOCKOUTS:** A = 1/2" and 3/4" (x6);  
B = 3/4" and 1" (x6); C = 1 1/2" and 2" (x6)

Figure 1, MPX-CB Dimensions and Knockout Locations/Sizes

## Installation



**WARNING:** The inverter uses power from both AC and DC sources. Before beginning the installation, ensure all AC power (utility/generator) and any negative and positive battery cables are safely disconnected from the inverter.

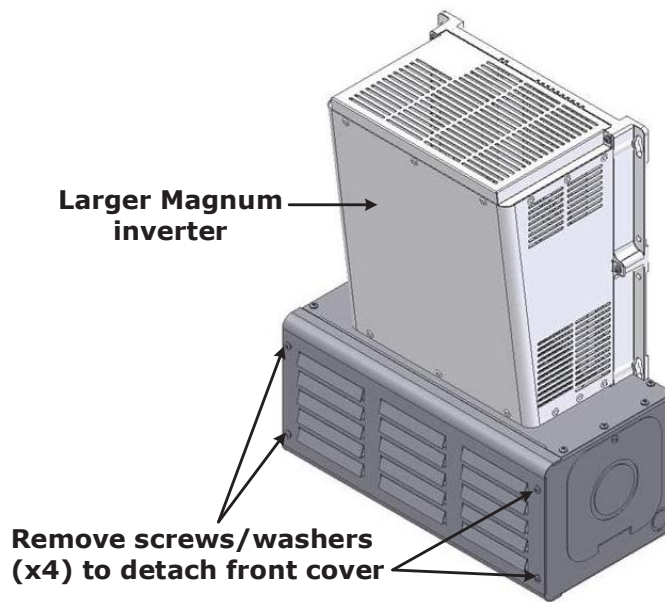
Refer to Figure 2 below for the following steps:

1. Determine the AC and DC wiring routes through the MPX conduit box, identify and remove the appropriate knockouts, and then attach the corresponding conduit.
2. Remove the four screws (#10-32 Phillips head) and washers to take off the front cover of the MPX conduit box.
3. Attach the MPX conduit box to the selected surface using the appropriate mounting hardware. Ensure the surface and hardware can hold the inverter's weight (~70 lbs).



**Info:** Refer to your inverter's owner's manual for guidelines on selecting a proper location and mounting surface. A Magnum Energy backplate (PN: BP-S single plate, BP-D dual plate) is highly recommended as a mounting surface. (These backplates provide a non-combustible surface and have pre-drilled holes that allow for easy mounting of the inverter and the MPX.)

4. Once the MPX conduit box is securely mounted, carefully place the inverter on top of the MPX, ensuring the inverter sits flush on the conduit box.
5. Secure the inverter to the mounting surface using appropriate hardware.
6. Route the AC and DC wiring through the appropriate knockouts/conduits on the MPX, and then connect per the inverter's installation procedure. Ensure all electrical and hardware connections are correct and secure.
7. Apply power to the inverter and test for proper operation.
8. Replace and secure the front cover of the MPX conduit box.



*Figure 2, MPX-CB with Magnum Inverter Installed*

## Warranty and Service

### Limited Warranty

Sensata Technologies warrants the MPX-CB to be free from defects in material and workmanship that result in product failure during normal usage, according to the following terms and conditions:

1. The limited warranty for the MPX-CB conduit box extends for a maximum of 12 months beginning from the product's original date of purchase.
2. The limited warranty extends to the original purchaser of the product and is not assignable or transferable to any subsequent purchaser.
3. During the limited warranty period, Sensata will replace at our option any unit that will not properly operate for its intended use—if such replacement is needed because of product malfunction or failure during normal usage. The limited warranty does not cover defects in appearance—cosmetic or decorative—or any structural or non-operative parts. Sensata's limit of liability under the limited warranty shall be the actual cash value of the product at the time the original purchaser returns the product for replacement—determined by the price paid by the original purchaser. Sensata shall not be liable for any other losses or damages.
4. Upon request from Sensata, the original purchaser must prove the product's original date of purchase by a dated bill of sale, itemized receipt.
5. The original purchaser shall return the product prepaid to Sensata Technologies. After replacement under this limited warranty, the product will be returned prepaid to the original purchaser via a non-expedited surface freight within the contiguous United States and Canada; this excludes Alaska and Hawaii.
6. If Sensata replaces a product, its warranty continues for the remaining portion of the original warranty period or 90 days from the date of the return shipment to the original purchaser, whichever is greater. This limited warranty is voided if:
  - product has been modified without authorization;
  - serial number (if serialized) has been altered or removed;
  - product has been damaged through abuse, neglect, accident, high voltage or corrosion;
  - product not installed and operated according to the installation guide.

### How to Receive Repair Service

If your MPX-CB requires warranty replacement, contact:

Sensata Technologies at: Telephone: 425-353-8833

Fax: 425-353-8390

Email: [MagnumWarranty@Sensata.com](mailto:MagnumWarranty@Sensata.com)

If returning the MPX-CB to Sensata, you must:

1. Return the unit in the original, or equivalent, shipping container;
2. Receive a Return Materials Authorization (RMA) number from the factory prior to the return of the product to Sensata;
3. Place the RMA numbers clearly on the shipping container/packing slip

**BEFORE RETURNING ANY UNIT, CONTACT SENSATA TECHNOLOGIES FOR A RETURN MATERIAL AUTHORIZATION (RMA) NUMBER**