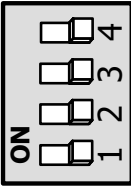
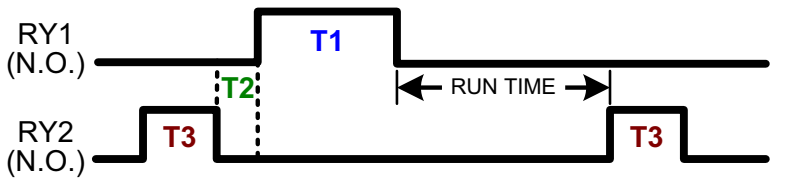
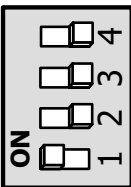
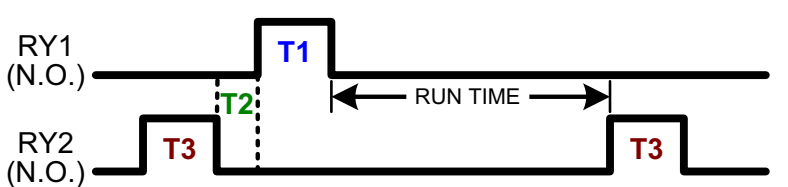
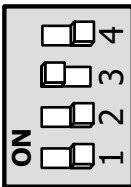
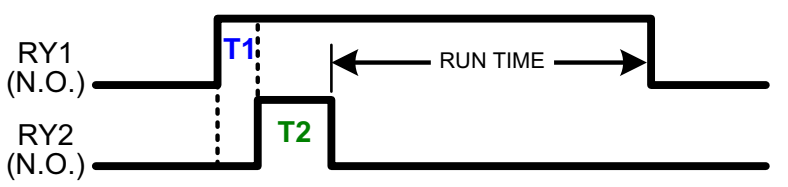
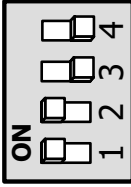
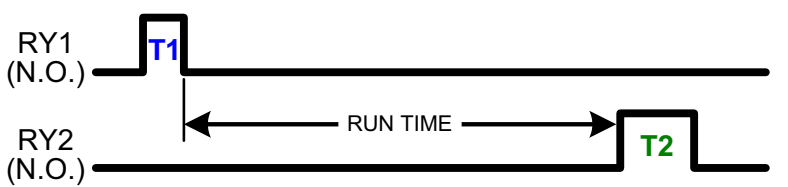
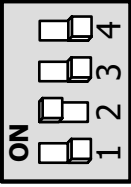
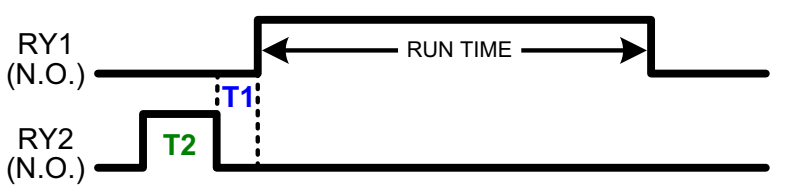
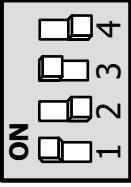
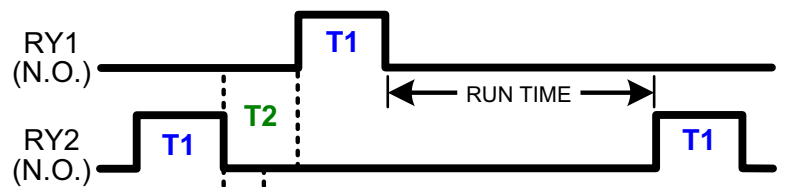


ME-AGS/ME-AGS-WB with Revision <4.1

GEN TYPE	Relay Timing/Operation (RY1/RY2/RY3)	Time Period
 <p>QD Mode</p>	 <p>RY1 (N.O.)</p> <p>RY2 (N.O.)</p> <p>Generator: Quiet Diesel (Onan).</p>	<p>T1 = 20 sec.</p> <p>T2 = 4 sec.</p> <p>T3 = 10 sec.</p>
 <p>3-Wire Mode</p>	 <p>RY1 (N.O.)</p> <p>RY2 (N.O.)</p> <p>Generators: Marquis, Emerald, and Microquiet (Onan); Quiet Pack Series (Generac).</p>	<p>T1 = 10 sec.</p> <p>T2 = 4 sec.</p> <p>T3 = 10 sec.</p>
 <p>Portable Mode</p>	 <p>RY1 (N.O.)</p> <p>RY2 (N.O.)</p> <p>Generator: EM Series with remote control (Honda).</p>	<p>T1 = 4 sec.</p> <p>T2 = 10 sec.</p>
 <p>2-Wire Momentary Mode</p>	 <p>RY1 (N.O.)</p> <p>RY2 (N.O.)</p> <p>Generator: PT-ECU-63 controller with 2-wires (Powertech).</p>	<p>T1 = 2 sec.</p> <p>T2 = 10 sec.</p>
 <p>2-Wire Maintain Mode</p>	 <p>RY1 (N.O.)</p> <p>RY2 (N.O.)</p> <p>Generators: RMY Series (Kohler); DynaGen Controllers</p>	<p>T1 = 4 sec.</p> <p>T2 = 10 sec.</p>
 <p>5-Wire Mode (WB models only)</p>	 <p>RY1 (N.O.)</p> <p>RY2 (N.O.)</p> <p>RY3 (N.O.)</p> <p>Generators: BTDA / BEG (Westerbeke), 205-DS (Martin Diesel), NL-673 (Northern Lights)</p>	<p>T1 = 10 sec.</p> <p>T2 = 14 sec.</p> <p>T3 = 4 sec.</p> <p>T4 = 25 sec.</p>