



Magnum Energy, Inc.  
2211 West Casino Road  
Everett, WA, USA 98204

[www.magnumenergy.com](http://www.magnumenergy.com)

## Introduction

The ME-PT2 (pigtail two-wire) adapter is designed to be connected to Magnum's Auto Generator Start (AGS) controller to allow a connected generator to be started by an external switching device. This is useful in applications where there is a requirement to conveniently and automatically turn the generator on/off externally through a manually controlled switch, or from an automatically controlled switching device.

This adapter has two pigtail wires and when connected together they cause the AGS controller to start and run the connected generator.



**Info:** The high temperature start feature is not available when using the ME-PT2. However, the low battery voltage start feature is still available.

## Installation/Setup – ME-AGS-N (Network Version)

The following pertains to the ME-PT2 when connected to the ME-AGS.



**Info:** Refer to the ME-AGS-N Owner's Manual (64-0039) for installation, setup and operation of the ME-AGS-N; and the ME-RC (64-0003) or ME-ARC (64-0030) owner's manuals for information on selecting/adjusting settings.

## Installation

To install the ME-PT2, refer to Figure 1 and the steps below:

1. Connect the two white wires on the ME-PT2 adapter to a two-contact external switching device (i.e., switch).
2. Plug the ME-PT2 adapter into the REMOTE (purple) port on the ME-AGS-N.



**Info:** The remote temperature sensor that comes with the ME-AGS-N (normally plugged into the AGS's REMOTE port) is not used when the ME-PT2 is connected.

## Setup

When using the ME-PT2 with the ME-AGS-N, configure the ME-RC (or ME-ARC) to allow the AGS to accept the external input from the ME-PT2.

- Find the temperature start setting—depending on your remote: ME-RC (under *AGS/04 Start Temp F* menu), or ME-ARC (under *SETUP/04E Gen Run Temp/Start* menu). Then, select the *Start=Ext Input* setting.

## ME-PT2 to ME-AGS-N Operation

The type of external switch (i.e., "momentary" or "maintain") connected to the ME-PT2 adapter determines how long the generator can run.

### ME-RC

A. *Using a momentary type switch:* Pressing the switch causes the generator to run for the duration of a full run time cycle (as set in the *AGS/03 Run Time Hour* menu), and then stop.

B. *Using a maintain type switch:* If the switch is set to ON, the generator continues to run until the switch is set to OFF. Once the switch is set to OFF, the generator will continue to run for the remaining duration of the current run time cycle (as set in the *AGS/03 Run Time Hour* menu), and then stop.

# ME-PT2 Instruction Sheet

## ME-ARC

A. *Using a momentary type switch:* Pressing the switch causes the generator to run for two minutes, and then stop.

B. *Using a maintain type switch:* If the switch is set to ON, the generator continues to run until the switch is set to OFF. Once the switch is set to OFF, the generator will run for two minutes, and then stop.

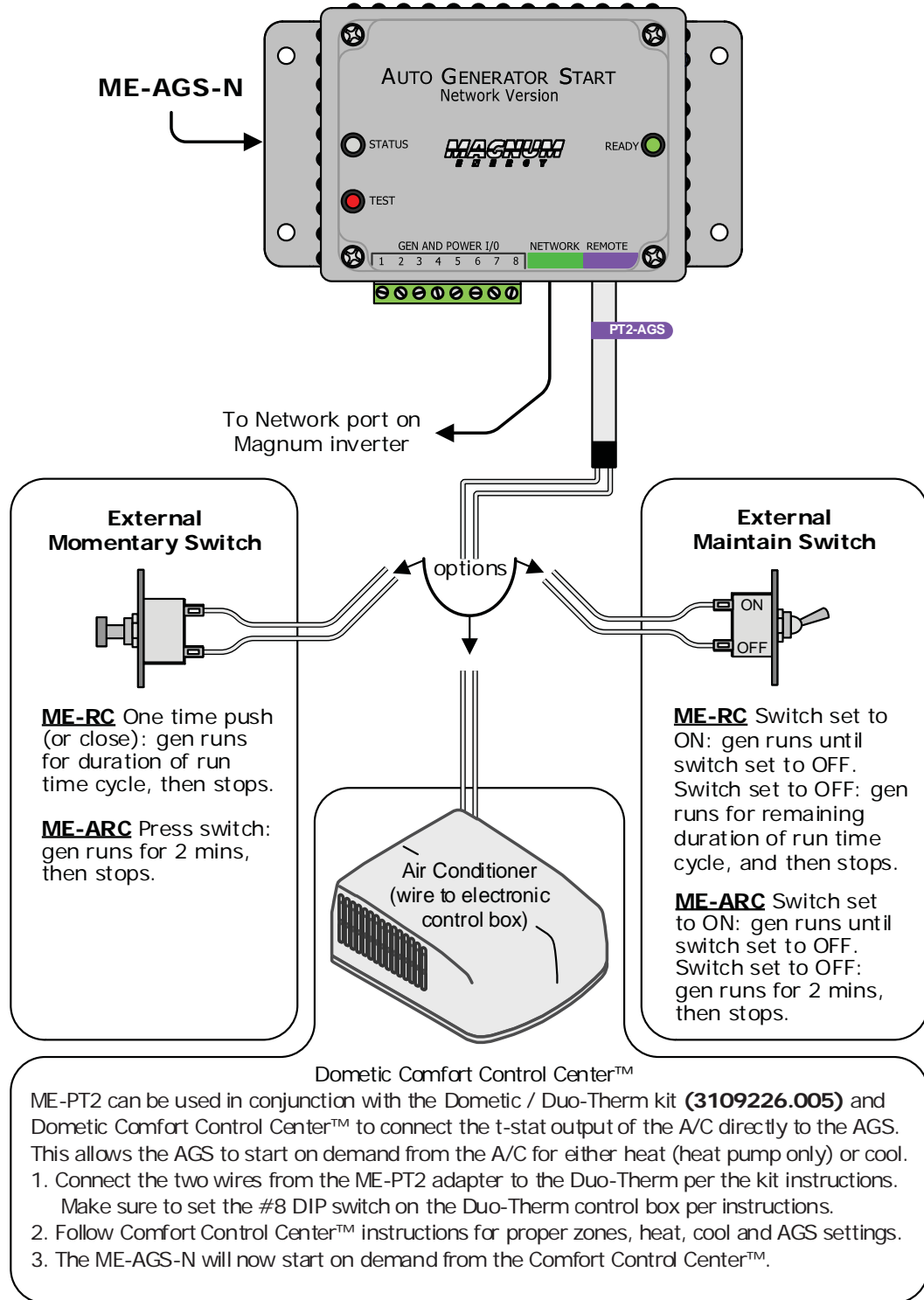


Figure 1, ME-PT2 to ME-AGS-N Installation

## Installation/Setup – ME-AGS-S (Standalone Version)

The following pertains to the ME-PT2 when connected to the ME-AGS-S (Standalone Version) controller.



**Info:** Other than the specific installation and setup instructions listed below, refer to the ME-AGS-S Owner's Manual (PN: 64-0004) for installation, setup, and operation of the ME-AGS-S.

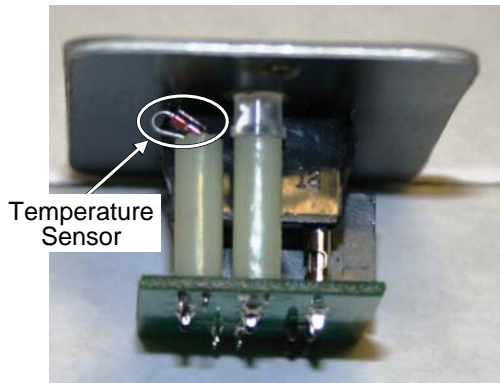
### Installation

To prepare the ME-AGS-S remote switch:

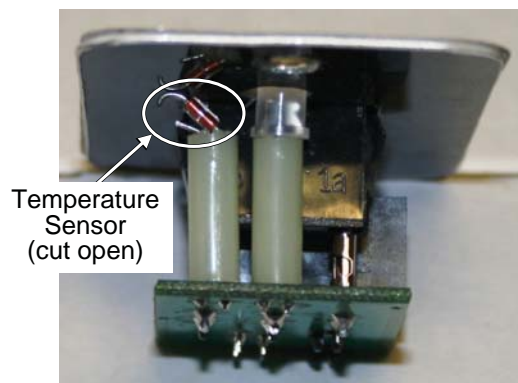
1. Find the temperature sensor behind the remote switch's front plate. It is a small reddish looking device close to the metal front plate (see Figure 2).
2. Use a pair of small wire cutters to cut open one side of the temperature sensor wire (see Figure 3). Ensure the cut ends are not able to touch.

To install the ME-PT2 (refer to the steps below and Figure 4):

1. Plug a 6-conductor phone splitter into the REMOTE (purple) port on the ME-AGS-S controller.
2. Plug the ME-PT2 adapter into one of the phone splitter's ports, and then plug the remote switch—using its communications cable—into the phone splitter's other port.
3. Connect the two white wires on the ME-PT2 pigtail adapter to a two-contact external switching device (i.e., switch).



*Figure 2, Locating Sensor*



*Figure 3, Sensor Cut Open*

### Setup

1. On the ME-AGS-S, turn the START TEMP F adjustment clockwise to any temperature position (**DO NOT** turn counterclockwise to OFF position).
2. Press the remote switch on the ME-AGS-S to the up (ENABLE) position.

### ME-PT2 to ME-AGS-S Operation

The type of external switch (i.e., "maintain" or "momentary") connected to the ME-PT2 adapter determines how long the generator can run.

*A. Using a momentary type switch:* Pressing the switch causes the generator to run for the duration of the RUN TIME HOURS period, and then stop.

*B. Using a maintain type switch:* If the switch is set to OFF, the generator stays off. If the switch is set to ON, the generator runs until the switch is set to OFF. Once the switch is set to OFF, the generator will not stop until the current RUN TIME HOURS cycle has been satisfied.

# ME-PT2 Instruction Sheet

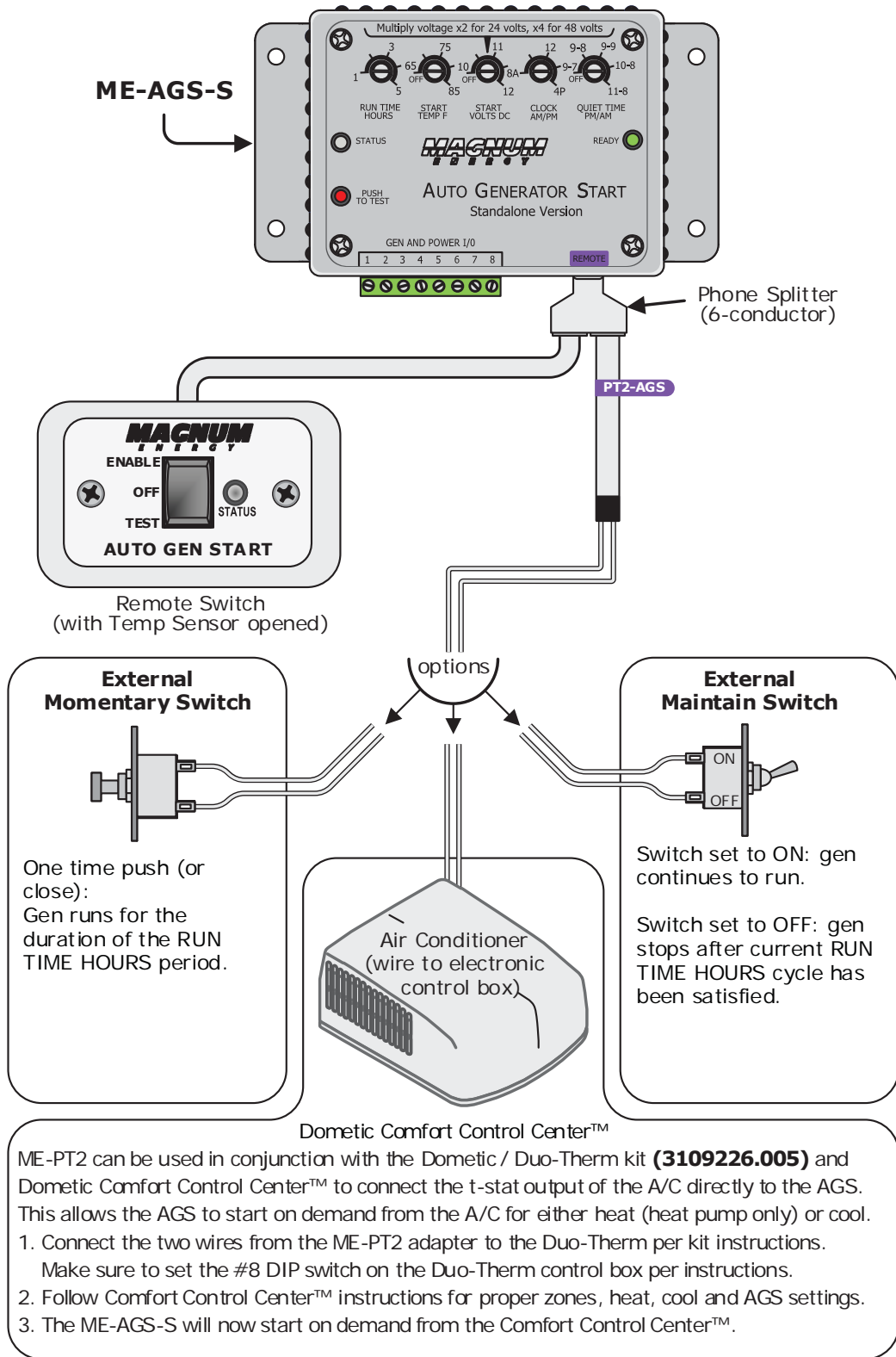


Figure 4, ME-PT2 to ME-AGS-S Installation