



Magnum Energy, Inc.
 2211 West Casino Rd.
 Everett, WA, USA 98204
www.magnumenergy.com

Introduction

The ME-PT1 (Pigtail one-wire) adapter connects to Magnum Energy's Auto Generator Start (ME-AGS) controller to allow the connected generator to start when an external +12-volt DC supply is applied. This is useful for applications in which there is a need to automatically turn the generator on/off externally, either through a manually controlled switch or from an automatically controlled switching device.

When +12-volts is supplied to this pigtail wire it causes the ME-AGS controller to start and run the connected generator.

Info: The 'high temperature start' feature on the ME-AGS is not available when using the ME-PT1. However, the 'low battery voltage start' feature is still available.

Installation/Setup - ME-AGS-N (Network Version)

The following pertains to the ME-PT1 when connected to the ME-AGS-N.

Info: Refer to the ME-AGS-N Owner's Manual (64-0039) for installation, setup, and operation of the ME-AGS-N; and the ME-RC Owner's Manual (64-0003) for information on selecting/adjusting settings.

Installation

Complete the following steps to install the ME-PT1 (refer to Figure 2):

1. Connect the red wire on the adapter to a +12-volt DC external switching device (i.e., switch).
2. Plug the ME-PT1 adapter into the REMOTE (purple) port on the ME-AGS-N.

Info: The remote temperature sensor that comes with the ME-AGS-N (and is normally plugged into the REMOTE port) is not used when the ME-PT1 is connected.

Setup

When using the ME-PT1 with the ME-AGS-N, configure the ME-RC to allow the ME-AGS-N to accept the external input from the ME-PT1 (see Figure 1).

1. On the ME-RC, press the AGS button and then rotate the SELECT knob to the *04 Start Temp F* menu. 2. Press the SELECT knob, and then rotate the knob to the *Start=Ext Input* setting. 3. Press the SELECT knob to save this setting.

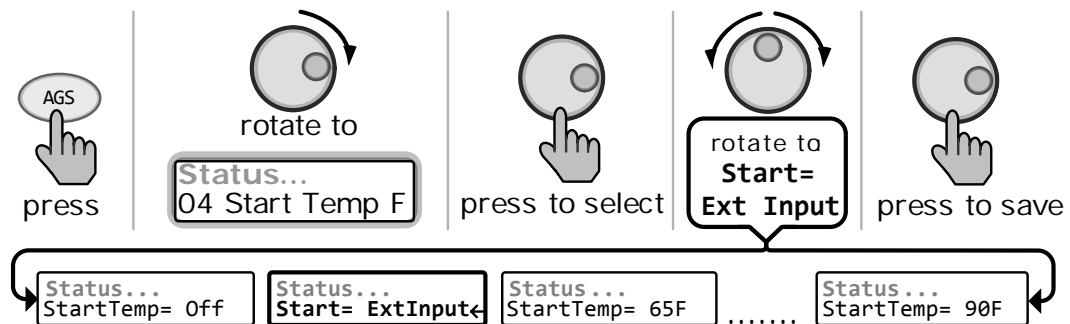


Figure 1, Selecting the Start=Ext Input Setting

ME-PT1 Instruction Sheet

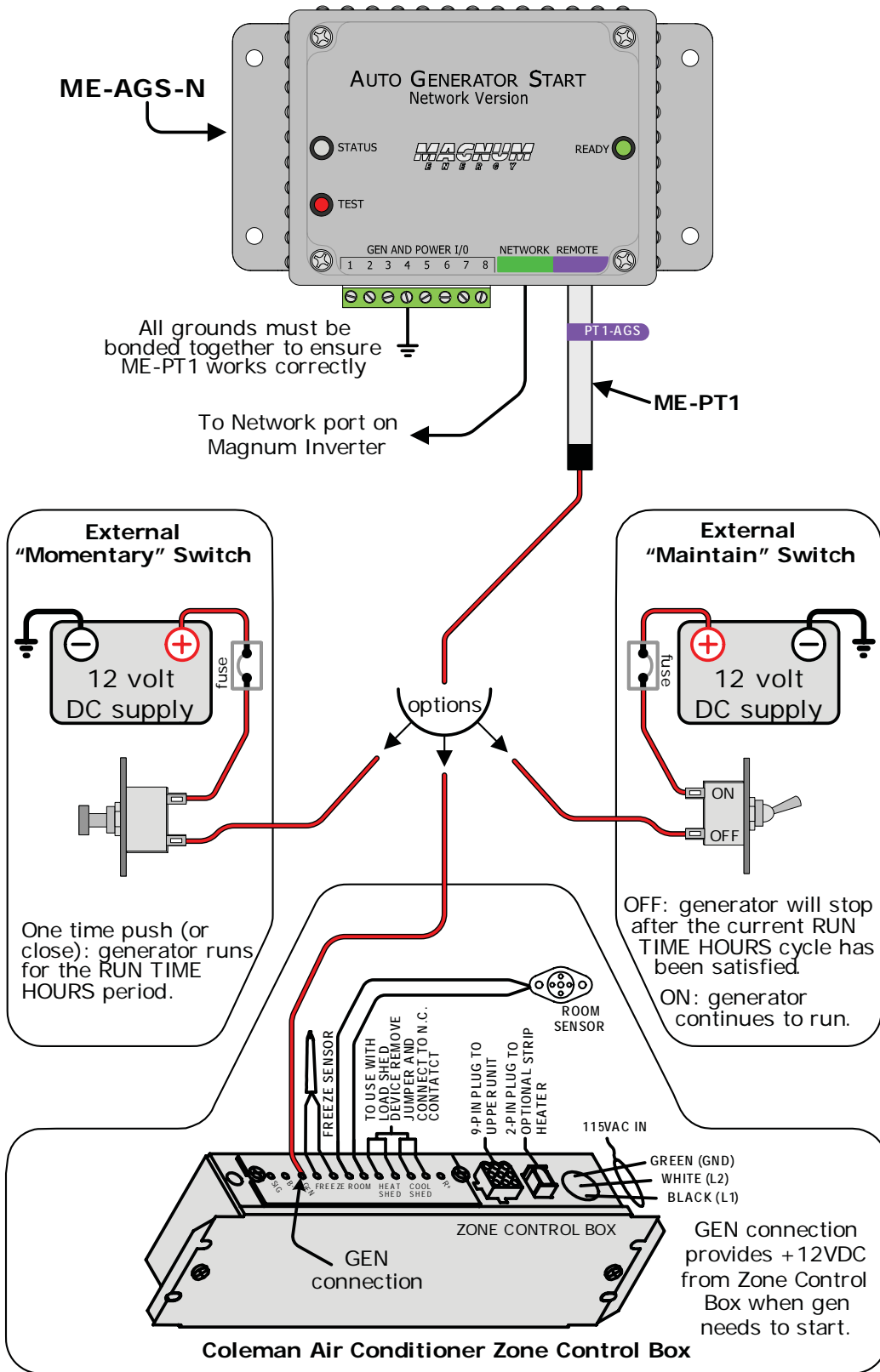


Figure 2, ME-PT1 to ME-AGS-N Installation

Installation/Setup - ME-AGS-S (Standalone Version)

The following pertains to the ME-PT1 when connected to the ME-AGS-S (Standalone Version) controller.



Info: Other than the specific installation and setup instructions listed below, refer to the ME-AGS-S Owner's Manual (64-0004) for installation, setup, and operation of the ME-AGS-S.

Installation

- Prepare the ME-AGS-S remote switch:
 1. Find the temperature sensor behind the remote switch front plate; it is a small reddish looking device close to the metal front plate (see Figure 3).
 2. Use a pair of small wire cutters to clip open one side the temperature sensor (see Figure 4). Ensure the cut ends are not able to touch.
- Refer to Figure 5 and the following steps to install the ME-PT1:
 1. Plug a 6-conductor phone splitter into the REMOTE (purple) port on the ME-AGS-S controller.
 2. Plug the ME-PT1 pigtail into one of the phone splitter's ports, and then plug the remote switch — using its communications cable — into the phone splitter's other port.
 3. Connect the red wire on the adapter to a +12-volt DC external switching device (i.e., switch).

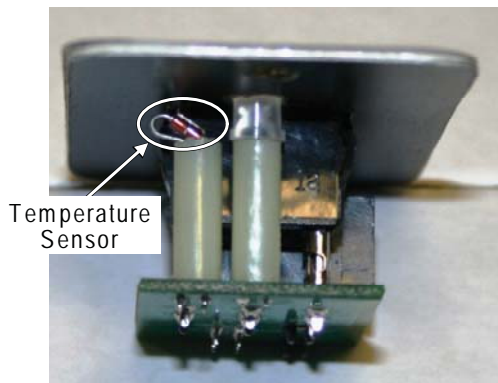


Figure 3, Locating Sensor

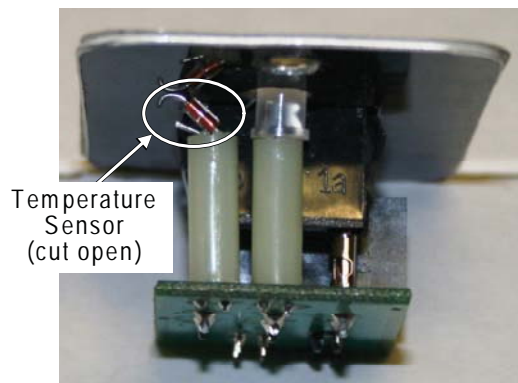


Figure 4, Sensor Cut Open

Setup

1. Turn the ME-AGS-S's START TEMP F adjustment clockwise to any temperature position (**DO NOT** turn full counterclockwise to the OFF position).
2. Press the ME-AGS-S remote switch to the up (ENABLE) position.

ME-PT1 Operation

The type of external switch (i.e., "maintain" or "momentary") connected to the ME-PT1 adapter determines how long the generator can run.

A. Using a *maintain* type switch: If the switch is OFF, the generator stays off. If the switch is ON, the generator continues to run until the switch is turned off. After the switch is turned off, the generator stops once the current RUN TIME HOURS period has finished.

B. Using a *momentary* type switch: Pressing the switch allows the generator to only run once for the duration of the RUN TIME HOURS period.

ME-PT1 Instruction Sheet

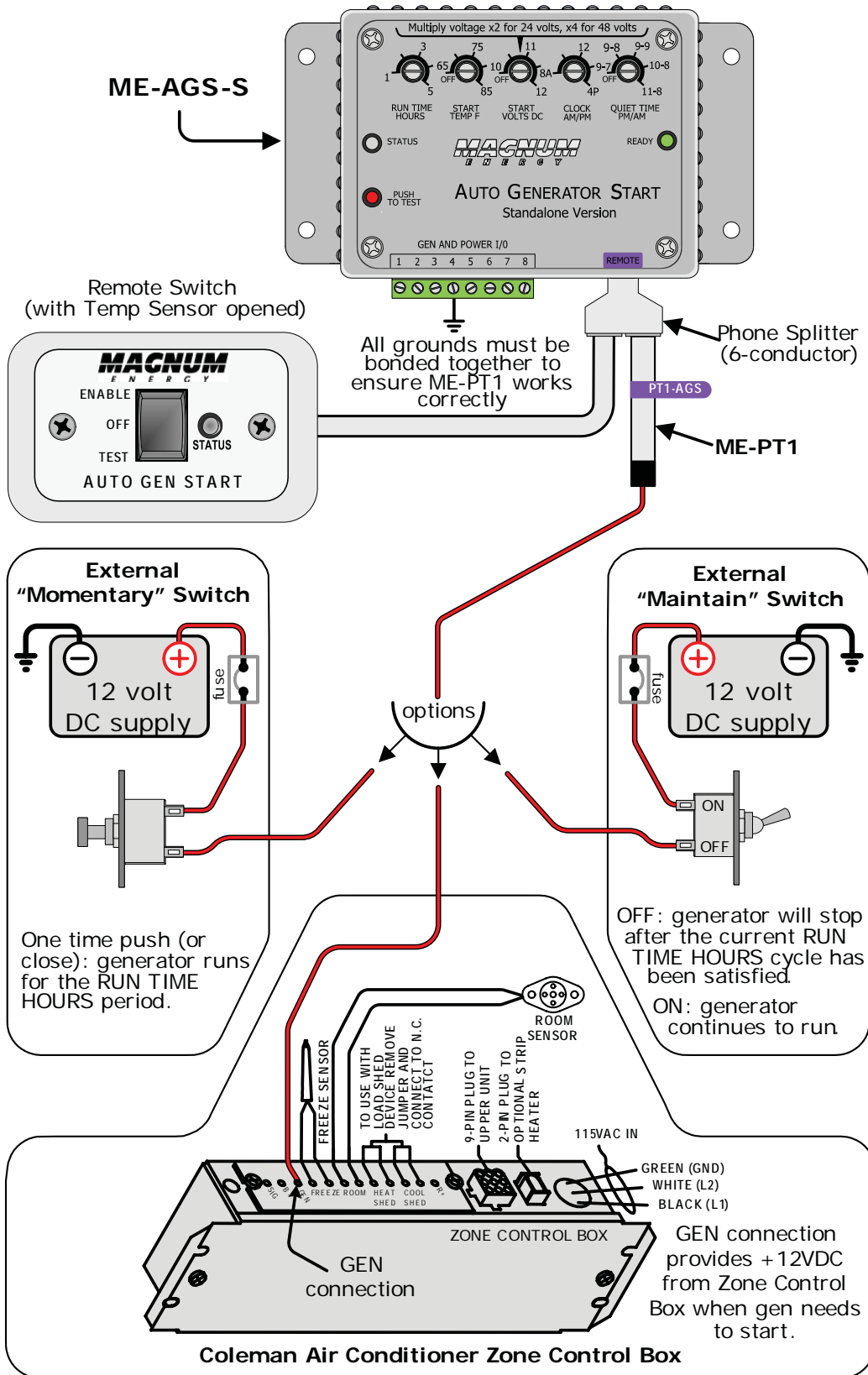


Figure 5, ME-PT1 to ME-AGS-S Installation