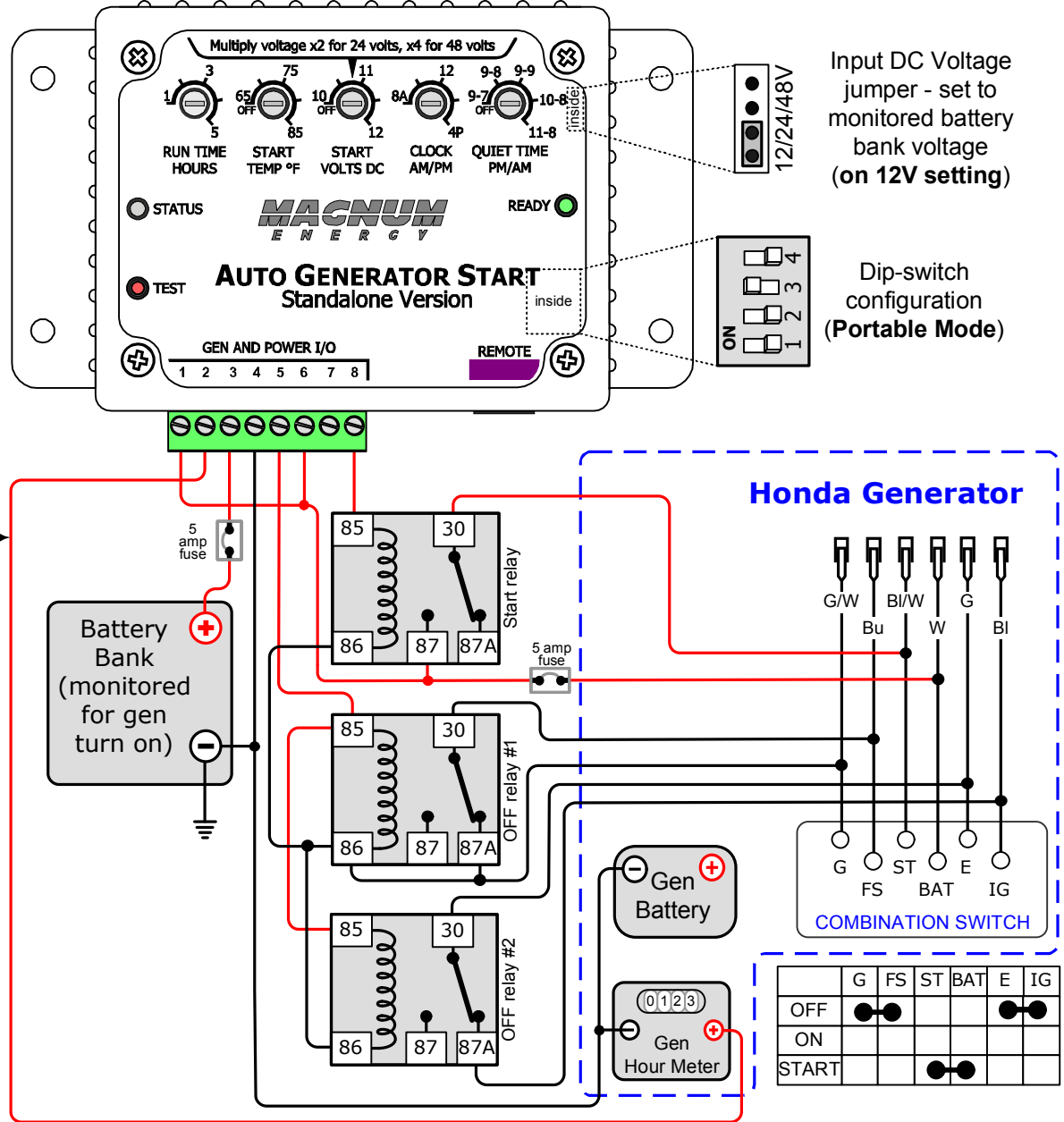
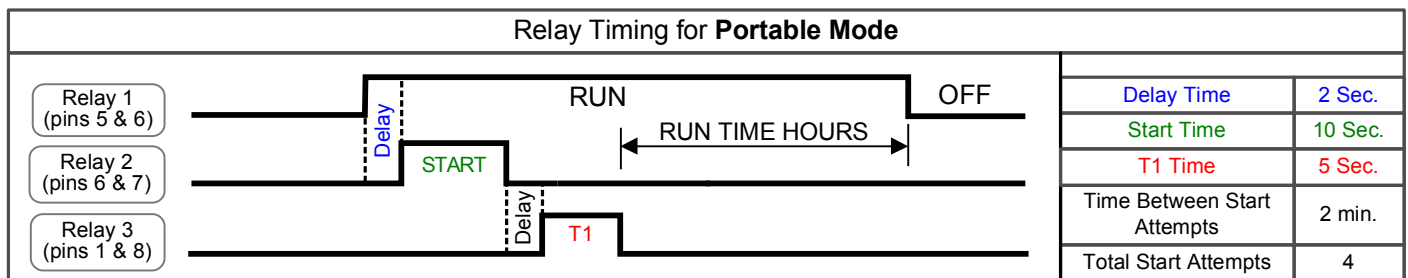


# ME-AGS-S Wiring Diagram – for Honda (EU3000is) Generators

**Note: The EU3000is has a manual choke and may not automatically start if the engine is cold.**



Relays used are SPDT 30 Amp, 12 VDC coil relays [shown in the non-energized (N.C.) position]



**IMPORTANT: The AGS must be revision 5.0 or higher for this circuit to work**

Magnum Energy, Inc. provides this diagram to assist in the installation of the Auto-Generator Start controller. Since the use of this diagram and the conditions or methods of installation, operation and use are beyond the control of Magnum Energy, Inc., we do not assume responsibility and expressly disclaim liability for loss, damage or expense arising out of the installation, operation and use of this unit.