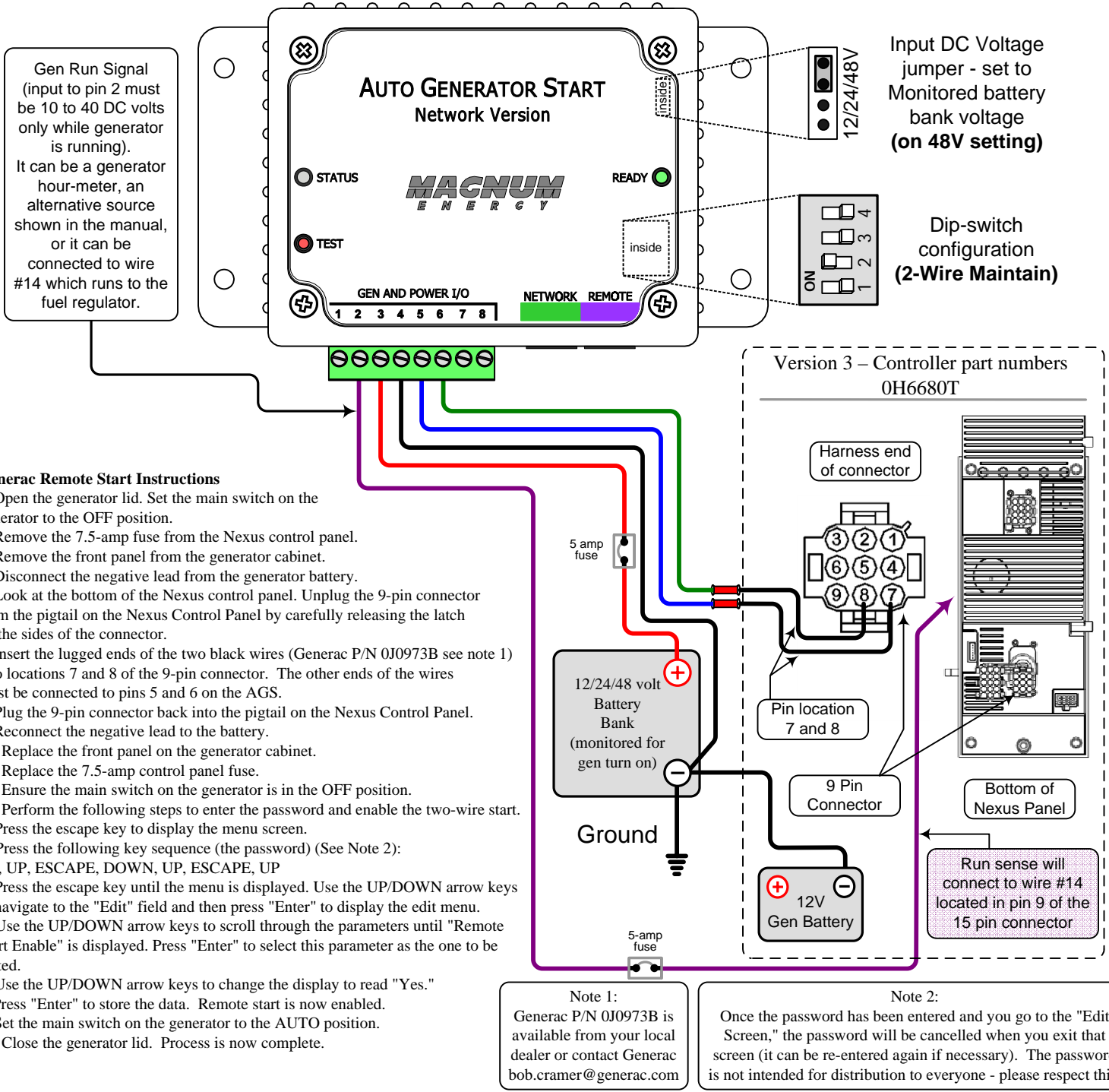


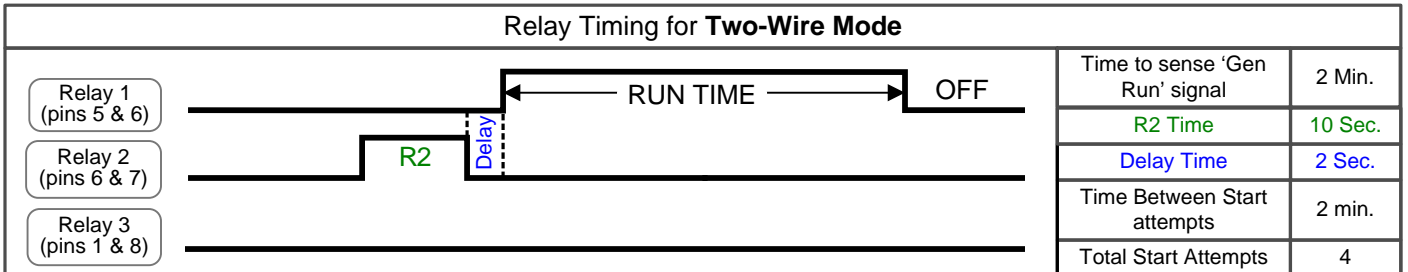
ME-AGS-N wiring diagram – For Generac Home Standby Generators (Nexus Controller Ver. 3 / 9-Pin Connector)



Generac Remote Start Instructions

1. Open the generator lid. Set the main switch on the generator to the OFF position.
2. Remove the 7.5-amp fuse from the Nexus control panel.
3. Remove the front panel from the generator cabinet.
4. Disconnect the negative lead from the generator battery.
5. Look at the bottom of the Nexus control panel. Unplug the 9-pin connector from the pigtail on the Nexus Control Panel by carefully releasing the latch on the sides of the connector.
7. Insert the lugged ends of the two black wires (Generac P/N 0J0973B see note 1) into locations 7 and 8 of the 9-pin connector. The other ends of the wires must be connected to pins 5 and 6 on the AGS.
8. Plug the 9-pin connector back into the pigtail on the Nexus Control Panel.
9. Reconnect the negative lead to the battery.
10. Replace the front panel on the generator cabinet.
11. Replace the 7.5-amp control panel fuse.
12. Ensure the main switch on the generator is in the OFF position.
13. Perform the following steps to enter the password and enable the two-wire start.
 - a) Press the escape key to display the menu screen.
 - b) Press the following key sequence (the password) (See Note 2):
UP, UP, ESCAPE, DOWN, UP, ESCAPE, UP
 - c) Press the escape key until the menu is displayed. Use the UP/DOWN arrow keys to navigate to the "Edit" field and then press "Enter" to display the edit menu.
 - d) Use the UP/DOWN arrow keys to scroll through the parameters until "Remote Start Enable" is displayed. Press "Enter" to select this parameter as the one to be edited.
 - e) Use the UP/DOWN arrow keys to change the display to read "Yes."
 - f) Press "Enter" to store the data. Remote start is now enabled.
14. Close the generator lid. Process is now complete.

Relay Timing for Two-Wire Mode



Magnum Energy, Inc. provides this diagram to assist in the installation of the Auto-Generator Start controller. Since the use of this diagram and the conditions or methods of installation, operation and use are beyond the control of Magnum Energy, Inc., we do not assume responsibility and expressly disclaim liability for loss, damage or expense arising out of the installation, operation and use of this unit.