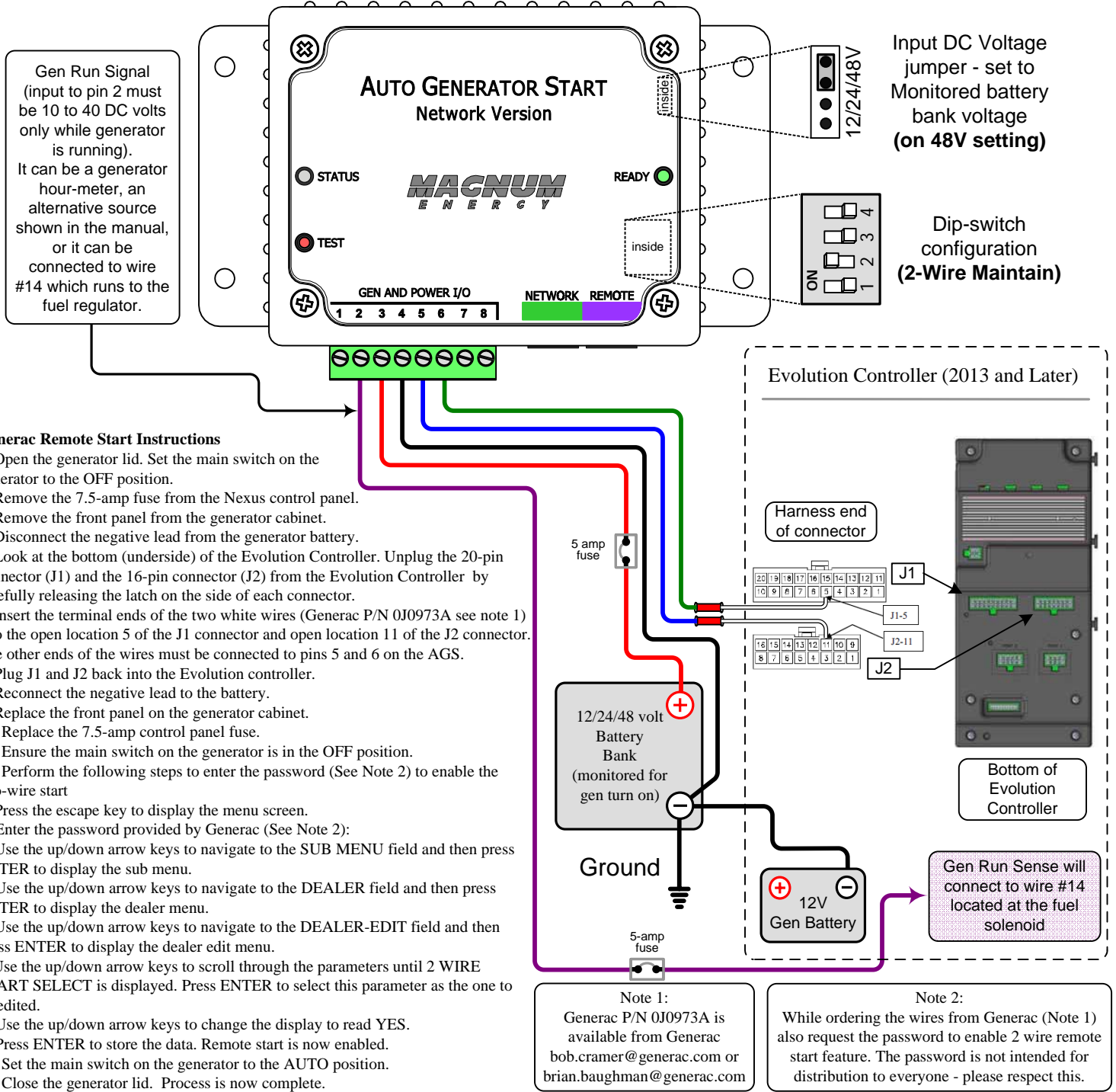


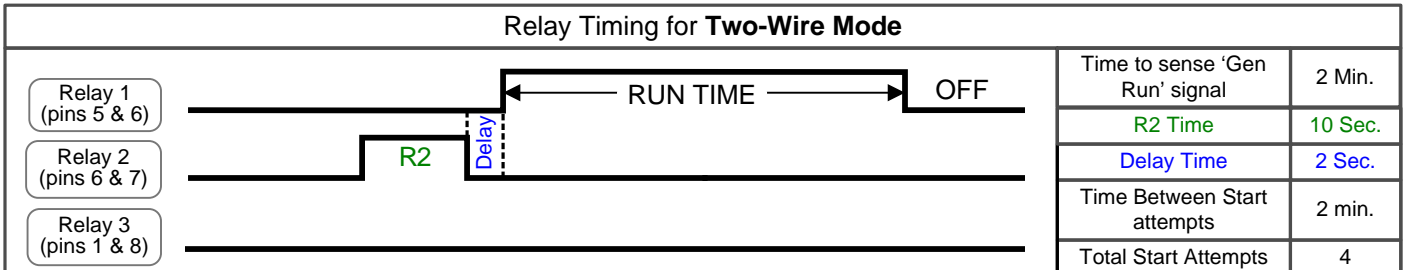
# ME-AGS-N wiring diagram – For Generac Home Standby Generators (Evolution Controller (2013 and later))



### Generac Remote Start Instructions

1. Open the generator lid. Set the main switch on the generator to the OFF position.
2. Remove the 7.5-amp fuse from the Nexus control panel.
3. Remove the front panel from the generator cabinet.
4. Disconnect the negative lead from the generator battery.
5. Look at the bottom (underside) of the Evolution Controller. Unplug the 20-pin connector (J1) and the 16-pin connector (J2) from the Evolution Controller by carefully releasing the latch on the side of each connector.
6. Insert the terminal ends of the two white wires (Generac P/N 0J0973A see note 1) into the open location 5 of the J1 connector and open location 11 of the J2 connector. The other ends of the wires must be connected to pins 5 and 6 on the AGS.
7. Plug J1 and J2 back into the Evolution controller.
8. Reconnect the negative lead to the battery.
9. Replace the front panel on the generator cabinet.
10. Replace the 7.5-amp control panel fuse.
11. Ensure the main switch on the generator is in the OFF position.
12. Perform the following steps to enter the password (See Note 2) to enable the two-wire start
  - a) Press the escape key to display the menu screen.
  - b) Enter the password provided by Generac (See Note 2):
  - c) Use the up/down arrow keys to navigate to the SUB MENU field and then press ENTER to display the sub menu.
  - d) Use the up/down arrow keys to navigate to the DEALER field and then press ENTER to display the dealer menu.
  - e) Use the up/down arrow keys to navigate to the DEALER-EDIT field and then press ENTER to display the dealer edit menu.
  - f) Use the up/down arrow keys to scroll through the parameters until 2 WIRE START SELECT is displayed. Press ENTER to select this parameter as the one to be edited.
  - g) Use the up/down arrow keys to change the display to read YES.
  - h) Press ENTER to store the data. Remote start is now enabled.
13. Set the main switch on the generator to the AUTO position.
14. Close the generator lid. Process is now complete.

### Relay Timing for Two-Wire Mode



Magnum Energy, Inc. provides this diagram to assist in the installation of the Auto-Generator Start controller. Since the use of this diagram and the conditions or methods of installation, operation and use are beyond the control of Magnum Energy, Inc., we do not assume responsibility and expressly disclaim liability for loss, damage or expense arising out of the installation, operation and use of this unit.